

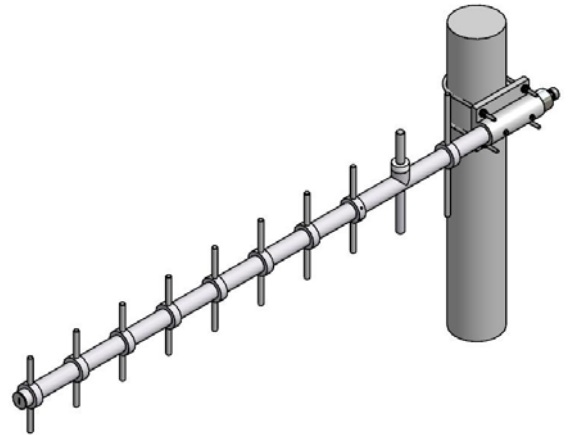
# CELLULAR YAGI Antenna

824~894 MHz / 10 dBi



## CELL-YG-10E

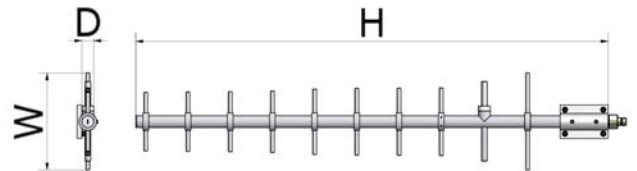
### i. Electrical Specification

Frequency Range	824~894 MHz	
Polarization	Vertical	
Band Width	70 MHz	
Gain	≥ 13 dBi	
Beam width	Horizontal	≥ Nominal 41°
	Vertical	≥ Nominal 37°
F-B ratio	≥12	
VSWR	1 : 1.5	
Impedance	50 Ω	
Maximum input power	200 W	

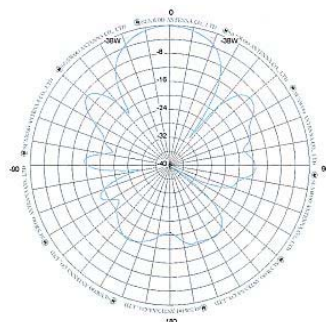


### ii. Mechanical Specification

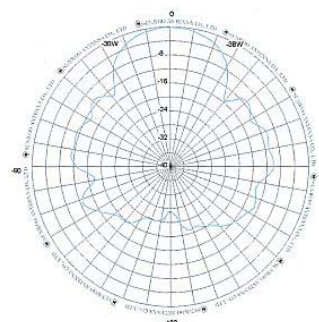
Radom Dimension ( H x W x D )	1110 x 180 x 50 mm	
Weight ( Include bracket )	≤ 2kg	
Connector Type	N-Female	
Withstand Wind Pressure	60 m/sec	
Radome Material	AL	
Radome Color	 Cool Gray 1C	 Cool Gray 4C
Mechanical Down Tilt	-	
Temperature	-40 °C ~ 70 °C	
Packing Size (H x W x D) 10SET	-	
Packing Weight 10SET	-	



### iii. Radiation Pattern



Horizontal Pattern



Vertical Pattern